

Pine

# Handshower set

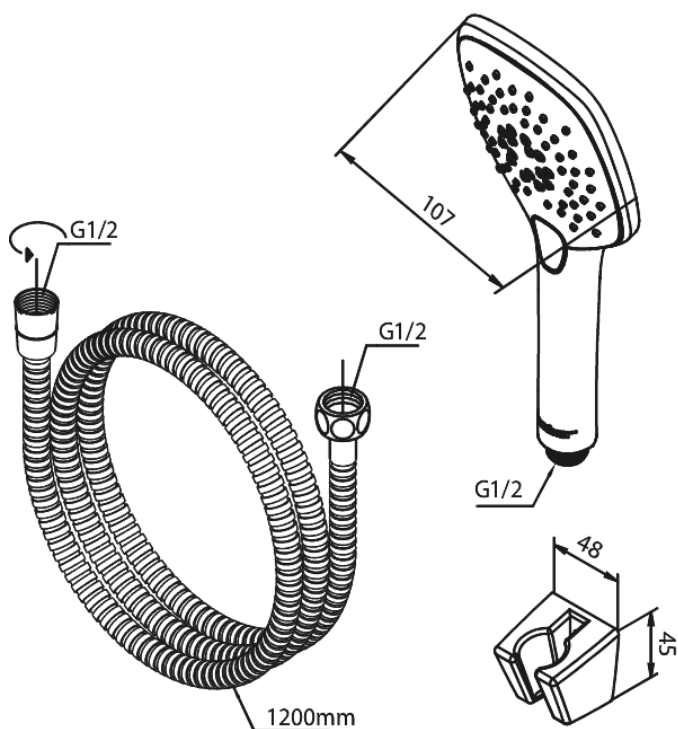
**Article no.:** 765264600  
**Finish:** Steel PVD  
**Series:** Pine

**EAN no.:** 5708516843030

## Standard features:

Water consumption max.6 l/min  
3 spray modes

## Product features



FM Mattsson Denmark ApS  
Hvidkærvej 48, 5250 Odense SV, DK-56416218

+45 88 33 00 34 damixa-international@fmmattsongroup.com

Mere information på [damixa.com](http://damixa.com)

**damixa**